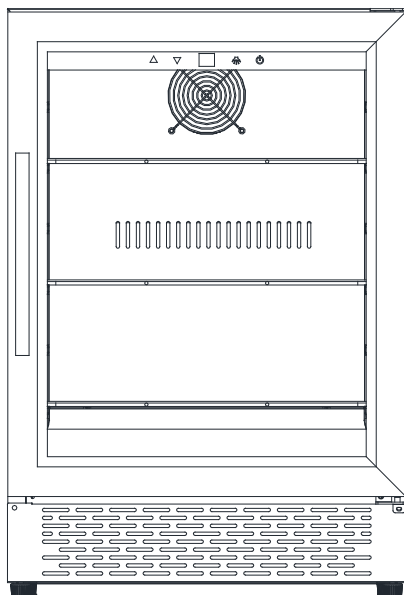


חברת הוראות למקרר חוץ

OUTDOOR FRIDGE 150L



מק"ט	דגם
38029	SI-150

יבואן: אמגזית ד.ג בע"מ, שרייבר לאון 22, א.ת. קרית מלאכי

www.amgazit.co.il



תנאים לאחריות

האחריות תחול עם הצגת חשבונית קניה בלבד ממפיץ מורשה של מותגי אמגזית. האחריות חלה מיום הרכישה בלבד ככתוב בחשבונית ולא ממועד הרכבה ו/או ההפעלה של הגריל. **האחריות למקרר הינה על פעולתו התקינה בתנאי שימוש רגילים עם אספקת זרם סדירה. אנו מתחייבים לתקופה של 12 חודשים לתקן את המכשיר ו/או להחליף חלקים כתוצאה מפגם בייצור בלבד, אמגזית מתחייבת לתקן כל תקלה במקרר בתקופה זו ללא תשלום.**

- באחריות הלקוח למסור המוצר לתחנת שרות ו/או נקודת איסוף לתיקון של אמגזית.
- באחריות הלקוח למסור מוצר נקי וארוז באופן מוגן לתיקון.
- במסגרת האחריות החברה תתקן או תחליף כל חלק פגום של המוצר בהתאם לשיקול דעתה הבלעדי, לא כולל חלפים אשר מתכלים במסגרת בלאי של שימוש טבעי (רשתות).

מדיניות אחריות:

- המקרר מיועד לשימוש בזרם חשמל של 220 וולט, בתדירות 50 הרץ תקלה הנובעת מזרם חשמלי לא תקני ככתוב בחוברת זו אינה מכוסה במסגרת האחריות.
- כל טיפול או ניסיון טיפול במקרר ע"י אדם אשר לא הוסמך ע"י היבואן יסיר את האחריות על המקרר.
- חובה להשתמש בחלקי חילוף מקוריים בלבד של היבואן, שימוש בחלקי חילוף לא מורשים יסיר את האחריות על המקרר.
- האחריות אינה תקפה במידה ולמקרר נגרם נזק כתוצאה משימוש לא לפי ההוראות, טיפול רשלני, אחסנה לקויה.

אחריות לא מכסה:

- האחריות אינה מכסה כל כשל או תקלה שנגרמו משימוש לא לפי ההוראות, התקנה שגויה, טיפול ואחזקה לא לפי ההוראות.
- אחריות זו אינה כוללת חלקי שבר מכל סוג, חלקי פלסטיק, בלאי טבעי של חלקי המקרר השונים, שינוי צבע ונורה שנשרפה כתוצאה ממכה ו/או שימוש.
- האחריות אינה מכסה כל נזק שנגרם מכח עליון, חשיפה לתנאי מזג אוויר של גשם ברד ושמש.
- האחריות לא מכסה עלויות הובלה, עבודה ודמי שילוח מכל סוג.
- האחריות הינה למקרר בלבד ואינה כוללת כל נזק עקיף משני או לצד שלישי.



EXPLANATION

This Instruction Manual is the universal-purpose version for the models of Beverage fridge manufactured by our Co. The appearance of the units that you purchase might be slightly different from the Manual, but it does not affect your proper operations and usage. Please read carefully the sections corresponding to the specific model you choose, and keep the manual properly so as to facilitate your reference at later time.


Warning:

1. This appliance can be used by children aged from 8 years and above and persons with reduced physical, sensory or mental capabilities or lack of experience and knowledge if they have been given supervision or instruction concerning use of the appliance in a safe way and understand the hazards involved. Children shall not play with the appliance. Cleaning and user maintenance shall not be made by children without supervision.
2. If the supply cord is damaged, it must be replaced by the manufacturer, its service agent or similarly qualified persons in order to avoid a hazard.
3. **WARNING:** Keep ventilation openings, in the appliance enclosure or in the built-in structure, clear of obstruction.
4. **WARNING:** Do not use mechanical devices or other means to accelerate the defrosting process, other than those recommended by the manufacturer.



5. **WARNING:** Do not damage the refrigerant circuit.
6. **WARNING:** Do not use electrical appliances inside the food storage compartments of the appliance, unless they are of the type recommended by the manufacturer.
7. Do not store explosive substances such as aerosol cans with a flammable propellant in this appliance.
8. This appliance is intended to be used in household and similar applications such as
 - staff kitchen areas in shops, offices and other working environments;
 - farm houses and by clients in hotels, motels and other residential type environments;
 - bed and breakfast type environments;
 - catering and similar non-retail applications.

9.

	Correct disposal of this product
	<p>This symbol on the product, or in its packaging, indicates that this product may not be treated as household waste. Instead, it should be taken to the appropriate waste collection point for the recycling of electrical and electronic equipment.</p> <p>By ensuring this product is disposed of correctly,</p>



you will help prevent potential negative consequences for the environment and human health, which could otherwise be caused by the inappropriate waste handling of this product. For more detailed information about the recycling of this product, please contact your local council, your household waste disposal service, or the shop where you purchased the product.


9. Refrigerant and foaming material is flammable. Pls take care when Maintenance, Installation, Handling and processing. pls contact with specialized department for wasted products, and do not discard freely.
10. Children aged from 3 to 8 years are allowed to load and unload refrigerating appliances. Children should be supervised to ensure that they do not play with the appliance.
 - **WARNING** — Do not store explosive substances such as aerosol cans with a flammable propellant in this appliance.
 - **WARNING** — The refrigerant and insulation blowing gas are flammable. When disposing of the appliance, do so only at an authorized waste disposal centre. Do not expose to flame.
 - **WARNING** — When positioning the appliance, ensure the supply



cord is not trapped or damaged.

- **WARNING** —Do not locate multiple portable socket-outlets or portable power supplies at the rear of the appliance.
- **WARNING** —Food needs to be packed in bags before putting into the refrigerator, and liquids need to be packed in bottles or containers to avoid the problem that the product design structure is not easy to clean.



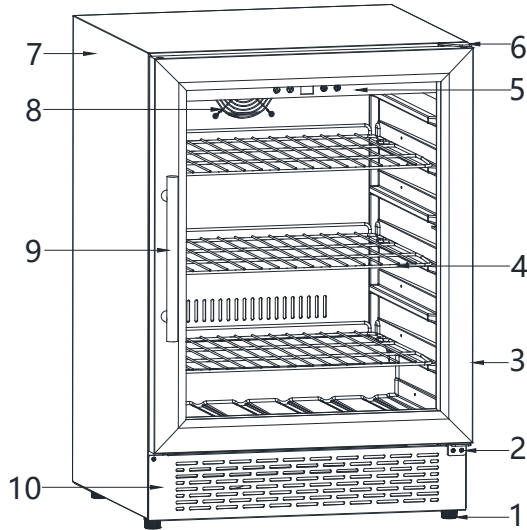
11. The symbol  is a warning and indicates the refrigerant and insulation blowing gas are flammable.

Warning: Risk of fire / flammable materials

Replacing the illuminating lamps

- **WARNING**—The illuminating lamps must not be replaced by the user! If the illuminating lamps is damaged, contact the customer helpline for assistance. This warning is only for refrigerators that contain illuminating lamps.

1. Structure



- (1) Foot (2) Lower Hinge (3) Door body components
(4)Steel wire frame (5) Display panel (6)Door hinge
(7)Box (8)Fan (9) Handle
(10)Downdraught

2. Important Safety Instructions

Basic precautions when using,

- (1) Only use your Beverage fridge for intended purposes, as described in this guide.
- (2) Never unplug the Beverage fridge by pulling out the power cord, grip the plug firmly and pull straight out to remove from wall socket.
- (3) Immediately repair or replace any worn or damaged cord, never use a cord that is split or which shows signs of wear along its length or on its ends.

- (4) Do not allow children to climb on, sit on or stand on the Beverage fridge, nor hang from its shelves. They could damage the fridge.
- (5) Do not use an extension cord.
- (6) Do not place other appliance inside the fridge.

3. Beverage fridge Installation:

- (1) When you receive the fridge, make sure when you unpack it there is no flaws in its external appearance (from shocks, deformation, etc.)
- (2) Open the door and check all interior fittings and supplied items if are all complete (shelves, instruction, control panel, etc.) Please install it according to the following points if the shelves or shelf brackets fall off during transit.
- (3) After checking, if no problem, then, pls carry to the final place, which should be care as follows:
 - A、 Leaving space of minimum 5cm between your Beverage fridge and left & right wall; at least 8cm between back of fridge and the wall.
 - B、 Position the Beverage fridge on a flat level surface, if not, adjust the feet of Beverage fridge to keep level.
- (4) Away from sources of heat and high humidity areas (laundry room and bathroom, etc).
- (5) Do not tilt it at an angle of more than 45° when move the fridge. Allow a minimum 10-minute interval between transit and re-starting.
- (6) Make sure the ventilation is free if you wish to install your fridge into a worktable, otherwise ,it will reduce the effect of usage.
- (7) Pls check the plug and cable before you connect the power, then, make sure correct voltage of 220~240V/50Hz.

4. Temperature Setting

4.1 The temperature setting of dual temperature Beverage fridge



4.1.1 The item will be used under the room temperature ranging from 0 to 38°C (32°F-101°F)

4.1.2 Temperature setting range of fridge is 1°C~10°C(34° F~50° F)

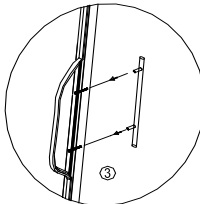
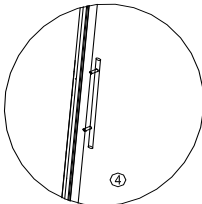
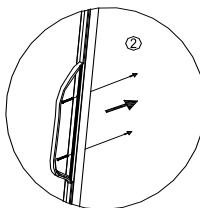
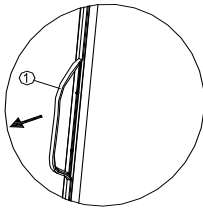
Customers can reset the temperature according to their actual demands. Both the Beverage fridge and the indicator will turn on until the desired temperature is achieved. Single Temp. zone is the same operation.

4.2.3 Pushing the temperature key up and down for 5 seconds, then, temperature display mode will be exchange between °C and °F.

4.2.4 When working both up and down zone, setting temperature of up zone must lower than down zone

5. Installing Your Handle

Install the handle according to the following four steps:



1. Move door seal out in the place of installing the handle



2. Take screws from Manual Bag & Put it in the appointed place
3. Fasten door handle by screwdriver
4. Refit the door seal to the relevant position

7. Maintenance

In order to ensure best performance & long-last reliable working item, pls follow the simple maintenance and cleaning operations as below:

- Make sure the power cord is unplugged before cleaning the back of your fridge, or before moving it.
- Clean the inside of your fridge thoroughly once a year, after unplugging and unloading it (uses water and a mild cleaning item, then rinse carefully).
- To assure that your Beverage fridge provides long-lasting reliable performance, you should check it regularly and inform your dealer if anything unusual is found.
- WARNING: Do not use mechanical devices or other means to accelerate the Defrosting process, orther than those recommended by the manufacturer .
- WARNING: Keep ventilation openings ,in the appliance enclosure or in the built-in structure ,clear of obstruction.
- WARNING: Do not damage the refrigerant circuit .
- WARNING: Do not use electrical appliances inside the food storage compartments of the appliance,unless they are of the type recommended by the manufacturer .
- This appliance is not intended for use by persons (including children) with reduced physical,sensory or mental capabilities,or lack of experience and knowledge, unless they have been given supervision or instruction concerning use of the appliance by a person responsible for their safety.
- Children should be supervised to ensure that they do not play with the appliance.



-Instruction shall include information pertaining to the installation , handing, servicing, and disposal of the appliance .

- (1) When you receive your fridge, make sure when you unpack it there is no defect in its external appearance (from shocks, deformation, etc.).
- (2) Open the door and check to see that the inside is complete (walls, shelves, hinges, control panel, etc.)
- (3) If check and everything is ok, then put it to right place, make sure the place selected should :
The place should be level, if not, adjust the four feet underneath the fridge (screwing them up or unscrewing them) so that your fridge is level (it is advisable to sue a sprit level.)
- (4) Away from any source of heat, and away from bathroom or laundry room.
- (5) If ever you need to move the fridge, do not tilt it at an angle of more than 45°, should more than 10 minutes then power on.
- (6) If you wish to install your fridge under a worktop, you will keep the ventilation of the back case is good, otherwise if affect the use effect.
- (7) Your fridge is easy to operate and has proven its reliability, It Will provide long-lasting satisfaction if you follow the simple maintenance and cleaning operations listed below.
 - Replace the activated charcoal filter inside the box hole half a year
 - Remove dust from the outside box twice a year.
 - Make sure the power cord is unplugged before cleaning the back of your fridge, or before moving it.
 - Clean the inside of your fridge thoroughly once a year, after unplugging and unloading it (use water and a mild cleaning produce, then rinse carefully).
 - To assure that your Beverage fridge provides long-lasting service, you should check it regularly and inform your dealer if you note anything unusual .
- (8) pls contact with specialized department for wasted products, and do not



discard freely.

8. Trouble Shooting

Problem	Solution
no working	Plug or not
	Fuse break
	No power
Cooling problem	Heat source near the item
	Ventilation not well
	Door close not well or door open too long
	Door sealing problem or deformation
	Bottles loading too much in same shelf
	Air inlet or outlet block
	Control Setting problem
Noisy	Ventilation space in the right & left casing not enough
	Beverage fridge placed not flat
	Item touch the wall
	Some parts loose or taken off

If still have problem after checking above, pls try to contact service center or dealer.

Note: normal operation for following phenominent:

A) Compressor no start:

Compressor will not start if room temperature is lower than desired temperature, but item is still working with heater inside till desired



temperature achieved.

B) Compressor re-start

Compressor will stop working when cooling system in the fridge reaches presetting temperature, and re-start working until the desired temperature is achieved. Allow a minimum 5 minute interval before re-starting.

C) Dew on the surface of fridge:

The surface of Beverage fridge especially the glass door appear some frost if item in a damp room. This is due to the moisture in the air coming into contact with the fridge. Please wipe it away with dry cloth.

D) Liquid sound:

- (1)、The sound of compressor when starts or stops working
- (2)、The flowing sound of refrigerant in the refrigeration system
- (3)、The evaporating sound of refrigerant in the evaporator

E) Condensation formed inside the fridge

Under the environment with high level of humidity or the door of wine fridge has been left open for a long period or opened frequently, wipe off the door and walls and leave the door closed as long as possible.